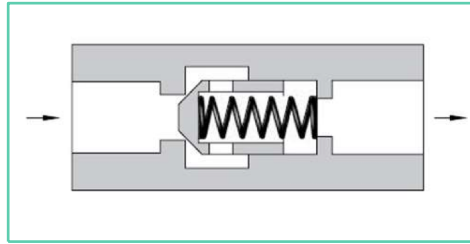


In-Line Check Valves

These valves allow free flow in one direction and prevent flow in the reverse direction. Cracking pressure specified is the pressure required to open the valve and allow free flow.



Graphic Symbol



Specifications

Model Number	Rated Flow * L/min.	Max. Operating Pressure Kgf/cm ²	Cracking Pressure Kgf/cm ²	Mass Kg.
CIT-02-※-2080	12	210	0.35	0.10
CIT-03-※-2080	30		2.0	0.18
CIT-06-※-2080	80		3.5	0.65
CIT-10-※-2080	200		5.0	2.1

* Rated flow is the approximate flow rate, when there is a free flow pressure drop of maximum 3 Kgf/cm², the fluid has a specific gravity of 0.85, a kinematic viscosity of 20cSt, and the cracking pressure is 0.35 Kgf/cm².

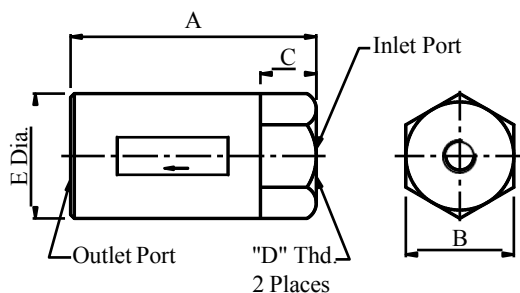
Model Number Designation

CI	T	-03	-30	-20	80
Series Number	Type of Connection	Valve Size	Cracking Pressure Kgf/cm ²	Design Number	Design standards
CI: In-Line Check Valve	T: Threaded Connection	02	5 : 0.35	20	80
		03	30 : 2.0	20	
		06	50 : 3.5	20	
		10	75 : 5.0	20	

- For in-line check valves, standard type (for petroleum base oil) can be used phosphate ester type fluid.

CIT-02-※-2080
CIT-03-※-2080
CIT-06-※-2080
CIT-10-※-2080

DIMENSIONS IN
MILLIMETRES

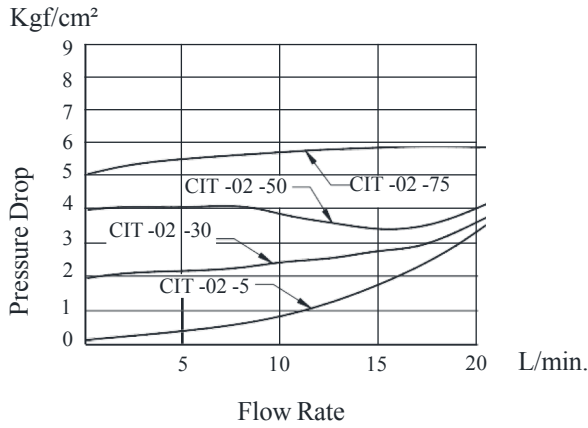


Model Numbers	mm				"D" Thd.
	A	B	C	E	
CIT-02-※-2080	65	22	15	25.4	1/4 BSP.F
CIT-03-※-2080	76	28	18	33	3/8 BSP.F
CIT-06-※-2080	95	38	25	44	3/4 BSP.F
CIT-10-※-2080	132	58	30	67	1 1/4 BSP.F

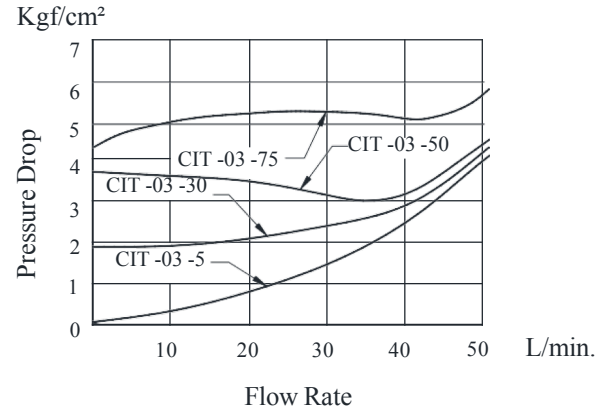
Pressure Drop

Hydraulic fluid : Viscosity 30 cSt (141 SSU), Specific Gravity 0.850

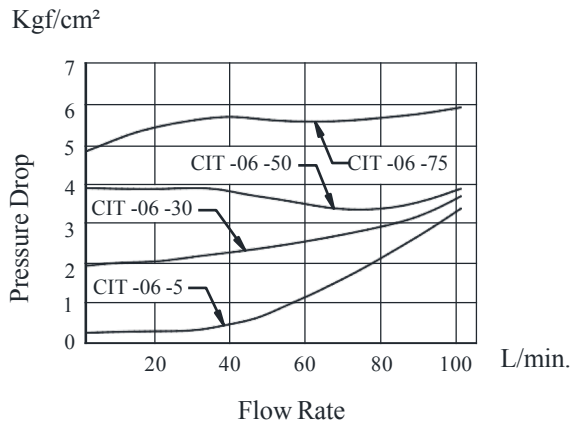
● CIT-02



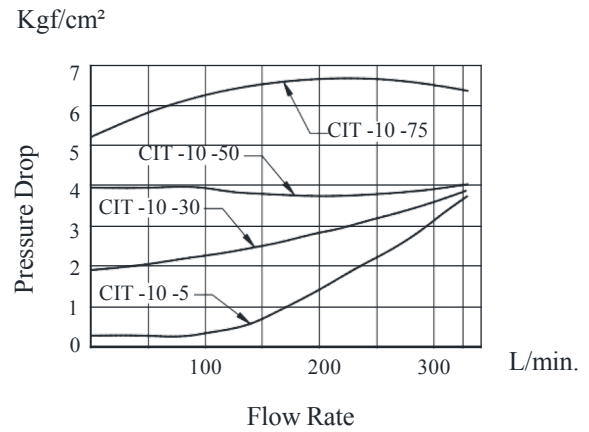
● CIT-03



● CIT-06



● CIT-10

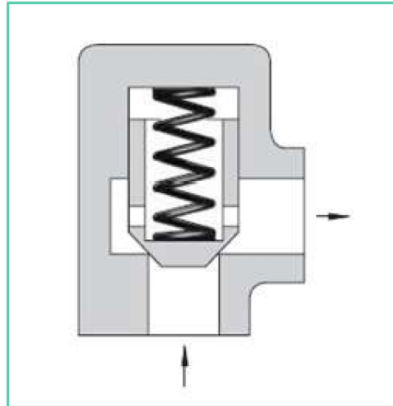


E

DSG-03 Series Solenoid
Operated Directional Valves

Right Angle Check Valves

These valves allow free flow in one direction and prevent flow in the reverse direction. Cracking pressure specified is the pressure required to open the valve and allow free flow.



Graphic Symbol



Specifications

Model Numbers		Rated Flow * L/min	Max. Operating Press. Kgf/cm ²	Cracking Pres. Kgf/cm ²	Mass Kg
Sub-plate Mounting	CRG-03-※-50	40	250	0.4, 3.5, 5.0	1.7
	CRG-06-※-30	125		0.35, 2.0, 3.5, 5.0	4.1
	CRG-06-※-※-50H01			0.4, 3.5, 5.0	3.2
	CRG-10-※-50	250		0.4, 3.5, 5.0	5.5
Flanged Connection	CRF-16-※-50	600		0.4, 3.5, 5.0	15.6

* Rated flow is the approximate flow rate, when there is a free flow pressure drop of maximum 3 Kgf/cm², the fluid has a specific gravity of 0.85, a kinematic viscosity of 20cSt, and the cracking pressure is 0.4 Kgf/cm².

Model Number Designation

F-	CR	G	-03	-04	-T	-50	H01
Special Seals **	Series Number	Type of Connection	Valve Size	Cracking Pressure Kgf/cm ²	Type of Operation	Design Number	Design Standard
F: Special seals for phosphate ester type fluid (Omit if not required)	CR: Right Angle Check Valve	G: Sub-plate Mounting	03	04:0.4, 35:3.5, 50:5.0	None: Without hand knob T: With Hand Knob	50	---
			06	5:0.35, 30:2.0, 50:3.5, 75:5.0		30	---
				0:0.0, 04:0.4, 35:3.5, 50:5.0		50	H01
		10	04:0.4, 35:3.5, 50:5.0	50	---		
		F: Flanged Connection	16	04:0.4, 35:3.5, 50:5.0	None: Without hand knob	50	---

** Before ordering the Special Seals, consult YUKEN INDIA LTD.

Mounting Bolts

Socket head cap screws in the table below are included.

Valve Model Numbers	Soc. head cap screw	Qty.	Mounting Bolt Ordering Code
CRG-03-※-50	M10 x 45 Lg.	4	BKCRG-03-50
CRG-06-※-30	M16 x 70 Lg.	4	BKCRG-06-30
CRG-06-※-50H01	M10 x 50 Lg.	4	BKCRG-06-50H01
CRG-10-※-50	M10 x 55 Lg.	6	BKCRG-10-50

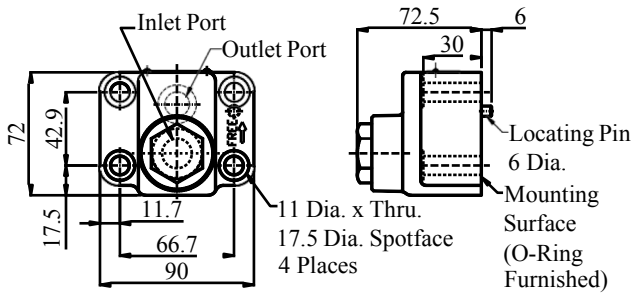
Pipe Flange Kits

Pipe flange kits are available. When ordering, specify kits model from the table below.

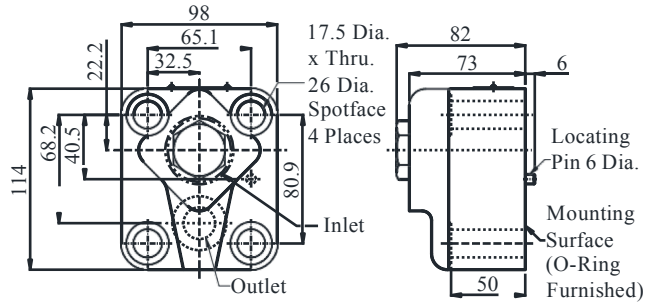
Valve Model Numbers	Pipe Flange Kit Model Numbers	
	For Socket Welding	Threaded Connections
CRF-16	F3-16※-A-11	F3-16※-B-1180

DIRECTIONAL CONTROLS

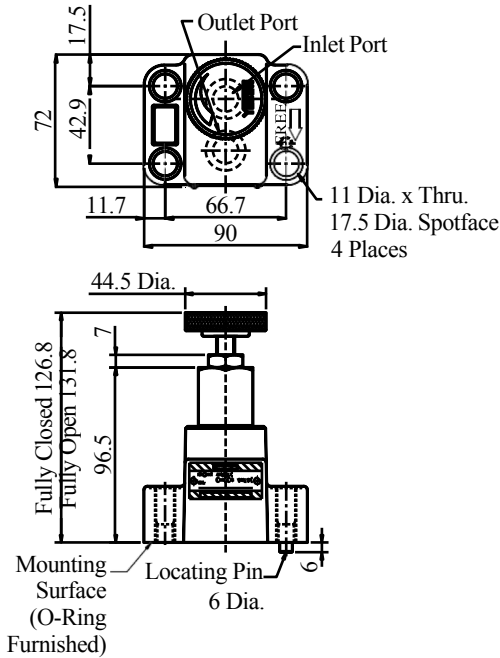
● CRG-03-※-50



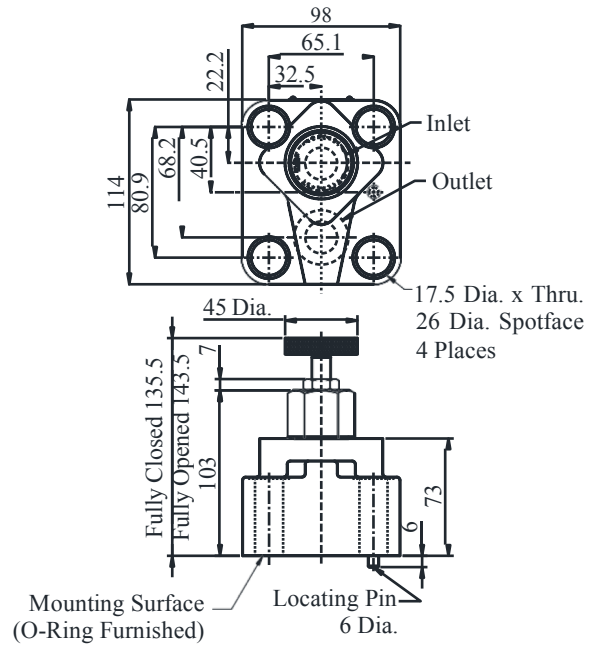
● CRG-06-※-30



● CRG-03-※-T-50

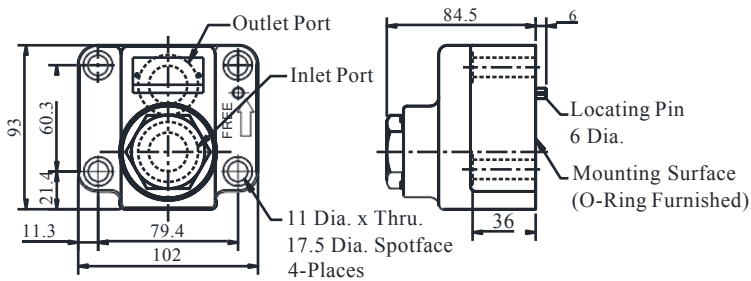


● CRG-06-※-T-30

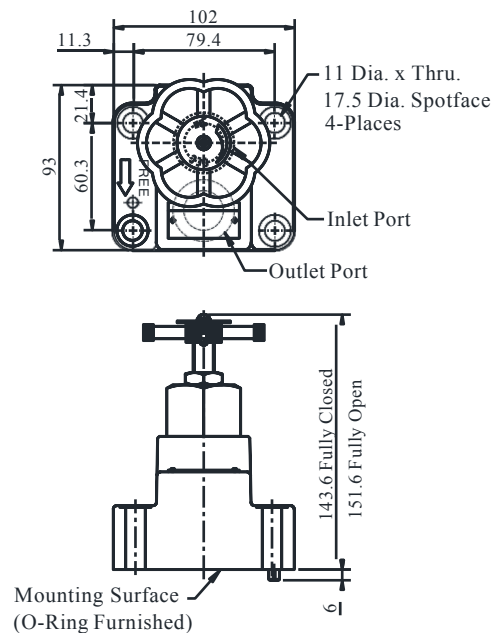


DIMENSIONS IN MILLIMETRES

● CRG-06-※-50H01

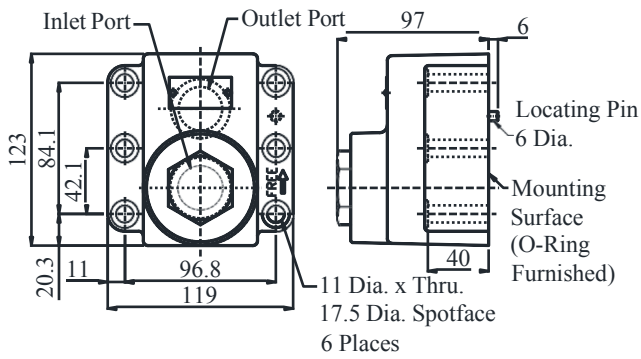


● CRG-06-※-T-50H01

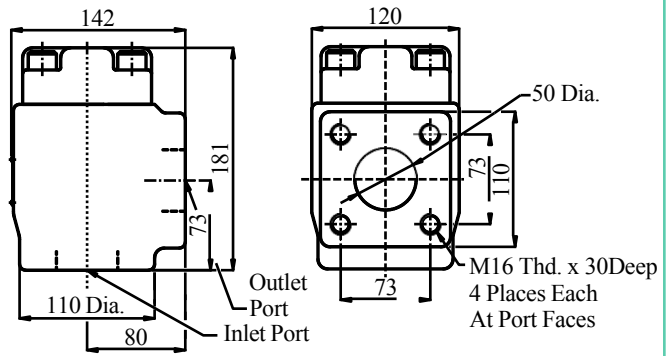


DIRECTIONAL CONTROLS

● CRG-10-※-50



● CRF-16-※-50



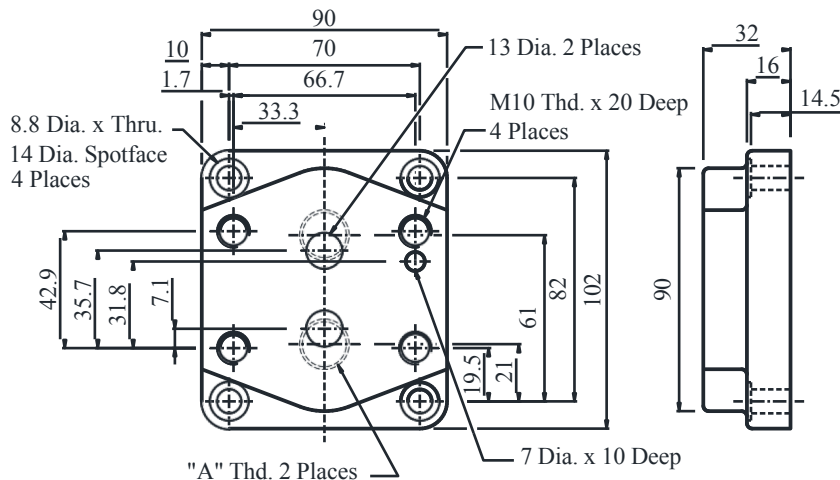
■ Sub-plates

Valve Model Number	Sub-plate Model Numbers	Thread Size	Mass (Approx.) Kg
CRG-03-※-50	CRGM-03-5080	3/8 BSP.F	1.6
	CRGM-03X-5080	1/2 BSP.F	1.6
CRG-06-※-30	CRGM-06-3080	3/4 BSP.F	3.2
	CRGM-06X-3080	1 BSP.F	3.0
CRG-06-※-50H01	CRGM-06-5080	3/4 BSP.F	3.2
	CRGM-06X-5080	1 BSP.F	3.0
CRG-10-※-50	CRGM-10-5080	1-1/4 BSP.F	4.8
	CRGM-10X-5080	1-1/2 BSP.F	5.7

* Sub-plates are available. Specify sub-plate model from the table above. When sub-plates are not used, the mounting surface should have a good machined finished.

DIMENSIONS IN MILLIMETRES

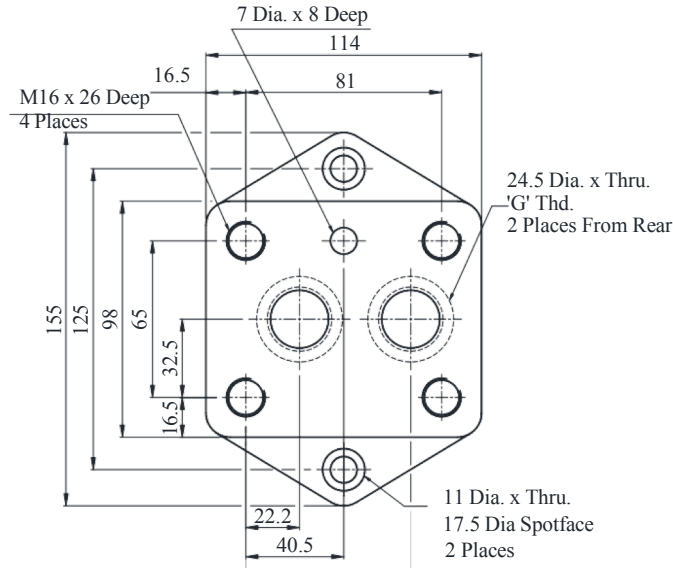
● CRGM-03-5080 03X



Sub-plate Model Numbers	"A" Thd.
CRGM-03-5080	3/8 BSP.F
CRGM-03X-5080	1/2 BSP.F

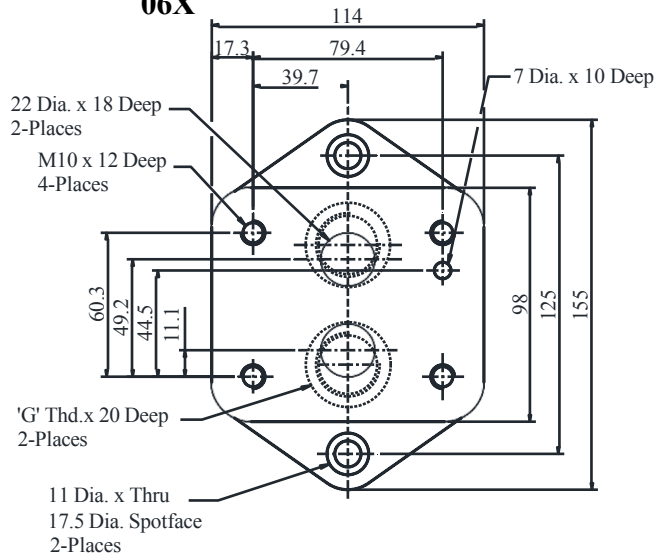
DIMENSIONS IN MILLIMETRES

● CRGM-06-3080 06X

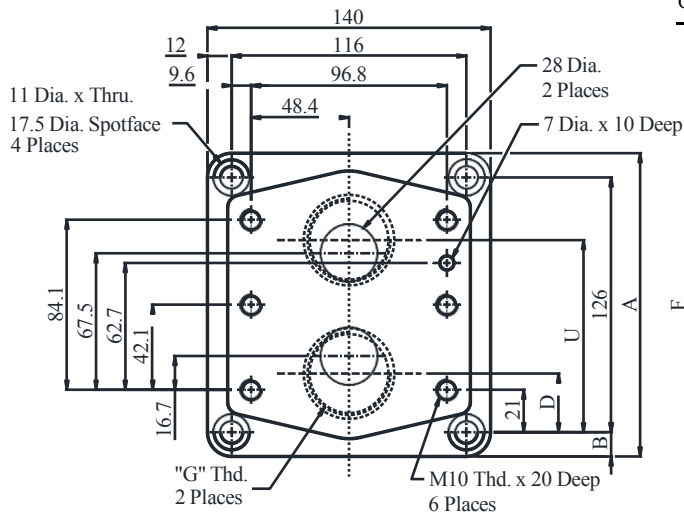


Sub-plate Model Numbers	"G" Thd.
CRGM-06-3080/5080	3/4" BSP.F
CRGM-06X-3080/5080	1" BSP.F

● CRGM-06-5080 06X



● CRGM-10-5080 10X

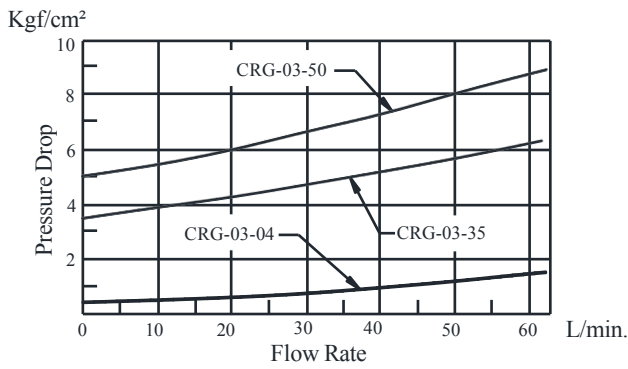


Sub-plate Model Numbers	Dimensions mm						"G" Thd.
	A	B	C	D	E	F	
CRGM-10-5080	150	12	96	30	45	135	1-1/4 BSP.F
CRGM-10X-5080	177	25.5	104	22	50	167	1-1/2 BSP.F

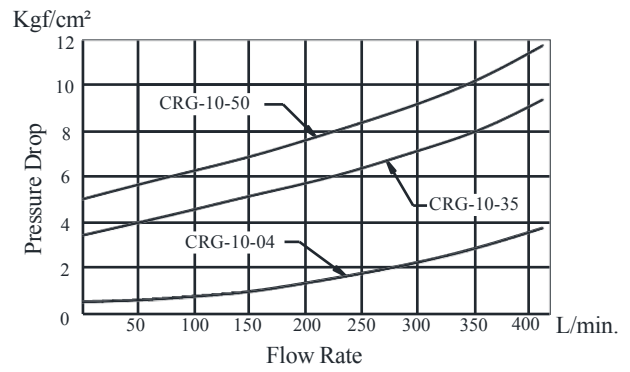
Right Angle Check Valves

Pressure Drop

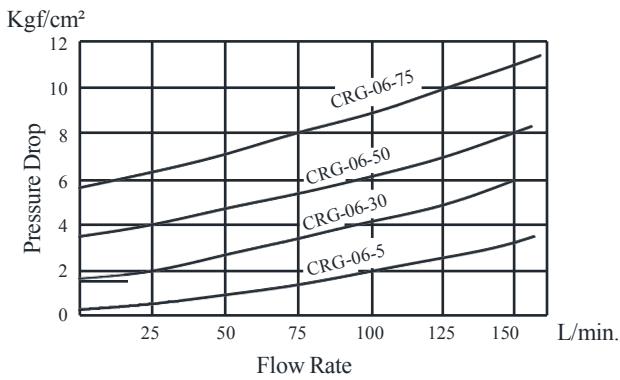
● CRG-03-***-50



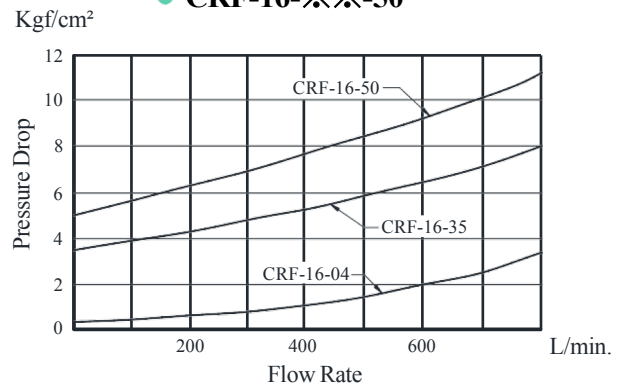
● CRG-10-***-50



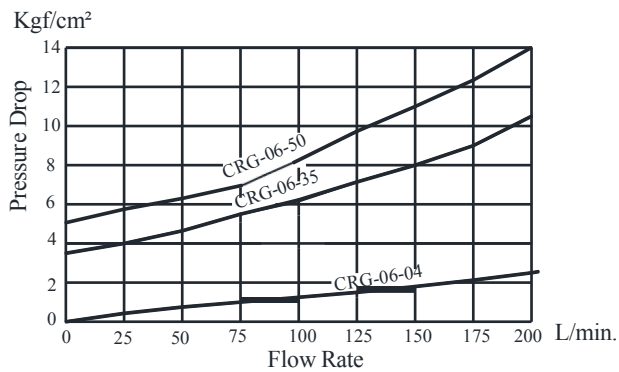
● CRG-06-***-30



● CRF-16-***-50



● CRG-06-***-50H01



■ Spare Parts List

● List of Seals

Sl. No.	Name of Part	Model No.							Qty.
		CRG-03	CRG-03-T	CRG-06	CRG-06-T	CRG-10	CRG-10-T	CRF-16	
1	O-Ring	--	SO-NA-P3	--	--			--	1
2	Backup Ring	--	SO-BB-P3	--	--			--	1
3	O-Ring	SO-NB-P21		--	--			--	1
4	O-Ring	SO-NB-P18		--	--			--	2
5	O-Ring	--	--	SO-NB-P24				--	1
6	O-Ring	--	--	SO-NB-P28				--	2
7	O-Ring	--	--	--	SO-NA-P5			--	1
8	Backup Ring	--	--	--	SO-BB-P5			--	1
9	O-Ring	--	--	--	--	SO-NB-P32		--	3
10	O-Ring	--	--	--	--	--	SO-NA-P7	--	1
11	Backup Ring	--	--	--	--	--	SO-BB-P7	--	1
12	O-Ring	--	--	--	--	--	--	SO-NB-G60	1

Note : When ordering the seals, please specify the seal kit number from the table as below.

● List of Seals Kits

Sl. No.	Model No.	Seal Kit No.
1	CRG-03-50	KS-CRG-03-50
2	CRG-03-T-50	KS-CRG-03-T-50
1	CRG-06-※	KS-CRG-06-30
2	CRG-06-T-※	KS-CRG-06-T-30

Sl. No.	Model No.	Seal Kit No.
1	CRG-10-50	KS-CRG-10-50
2	CRG-10-T-50	KS-CRG-10-T-50
1	CRF-16-50	KS-CRF-16-50