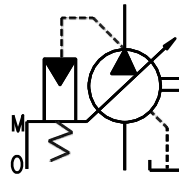


RV20 SERIES

These are variable displacement single vane pumps. they come with inbuilt pressure compensator and flow cut off, which in turn gives good power saving. RV20 series pump is widely used in machine tools.



Graphic Symbol



Specifications

Model Number	Geometric Displacement cm ³ /rev.	Oper. Pressure Kg/cm ²	Shaft Speed r/min.		Max. Oper. Pressure Kg/cm ²	Mass Kg.
			Min.	Max.		
RV20-SF-17-※-10	11.3	10~100	800	1800	100	5.7
RV20-SF-17-※-10H04						
RV20-SA-17-※-10H01						6.7

Model Number Designation

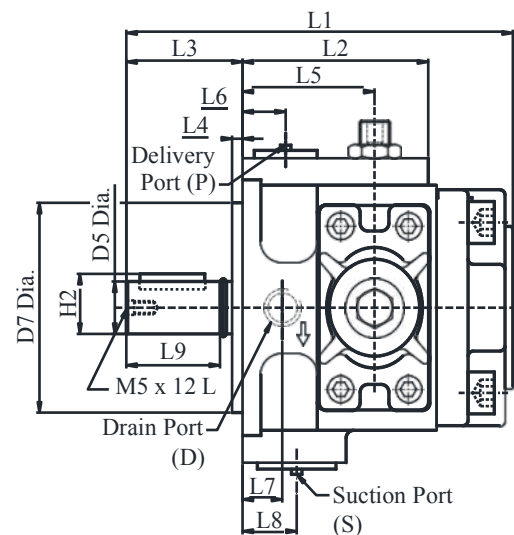
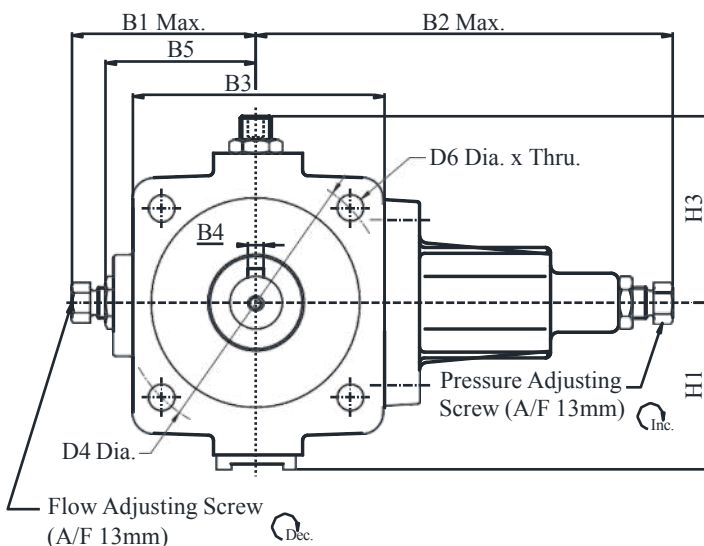
RV20	-S	F	-17	-D	-10	H01
Series Number	Number of Stages	Type of Mounting	Delivery at Unloading L/min. @ 1500 r/min.	Pressure Adj. Range Kg/cm ²	Design * Number	Design Standard
RV20	S: Single Stage	F: Flange Type (4 Bolts Mounting) A: Adapter Type (2 Bolts Mounting)	17	C: 15 ~ 50 D: 30 ~ 70 E: 45 ~ 100	10	None: Spigot Dia. 80, Shaft Dia. 20 H04: Spigot Dia. 80, Shaft Dia. 19.05 H01: Spigot Dia. 82.5, Shaft Dia. 12.7

* Design numbers subject to change, but installation dimensions remain as shown below.

RV20-SF-17-※-10

Flange Mounting (4 Bolts)

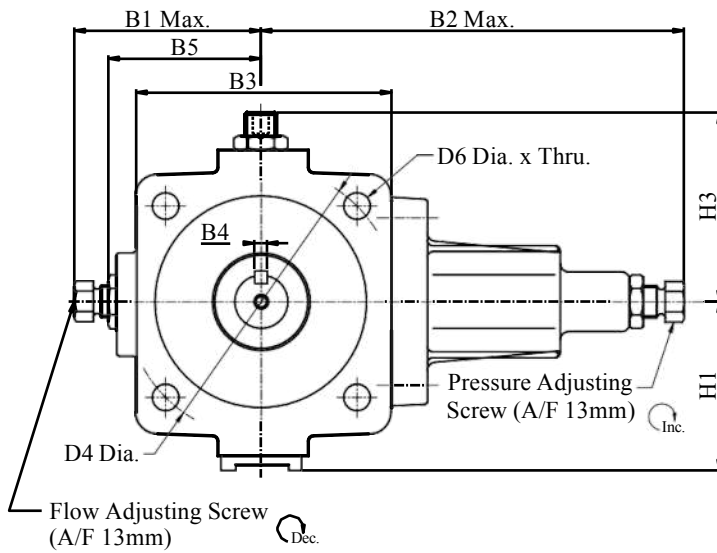
DIMENSIONS IN MILLIMETRES



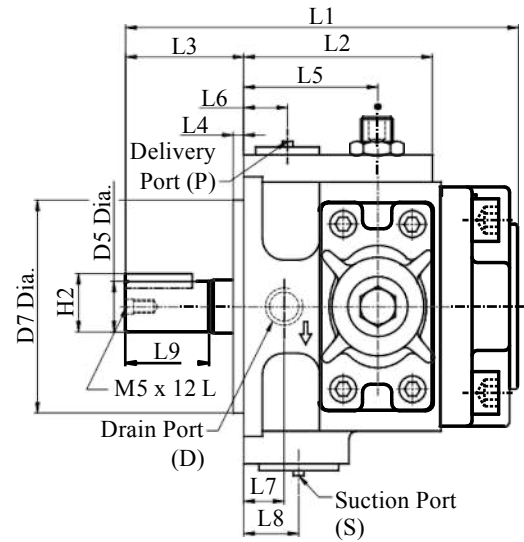
Variable Displacement Vane Pump

RV20-SF-17-※-10H04

Flange Mounting (4 Bolts)

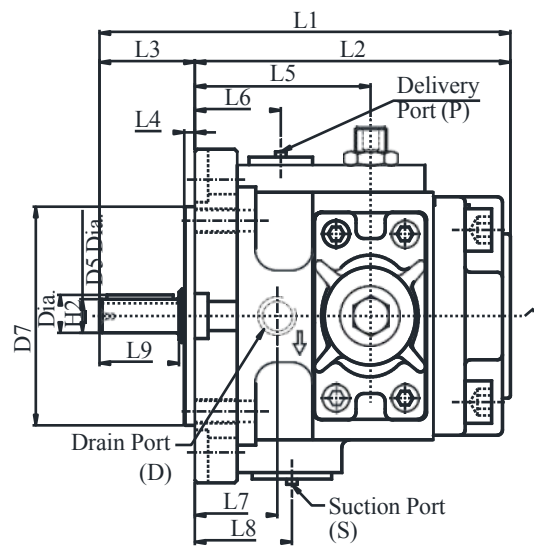
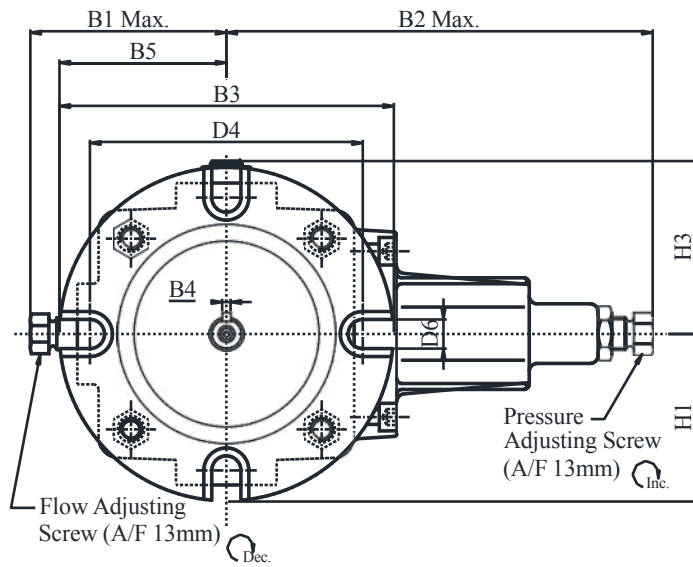


DIMENSIONS IN MILLIMETRES



RV20-SA-17-※-10H01

Adapter Flange Mounting (2 Bolts)



Design No.	B1 Max.	B2 Max.	B3	B4	B5	P	S	D	D4±0.1	D5	D6	D7	H1	H2	H3
10	70	160	98	6	57	BSP.F 3/8	BSP.F 1/2	BSP.F 1/4	102	20	10	80	63.5	23	71
10H04				4.76						19.05				21.15	
10H01	70	160	126	3.18	57	BSP.F 3/8	BSP.F 1/2	BSP.F 1/4	103	12.7	11	82.5	63.5	14.3	71

Design No.	L1	L2	L3	L4	L5	L6	L7	L8	L9
10	149	104	45	4	50	20.5	15	20.5	36
10H04									31.5
10H01	155	119	36	4	66	36.5	31	36.5	30

Notes

Cleanliness

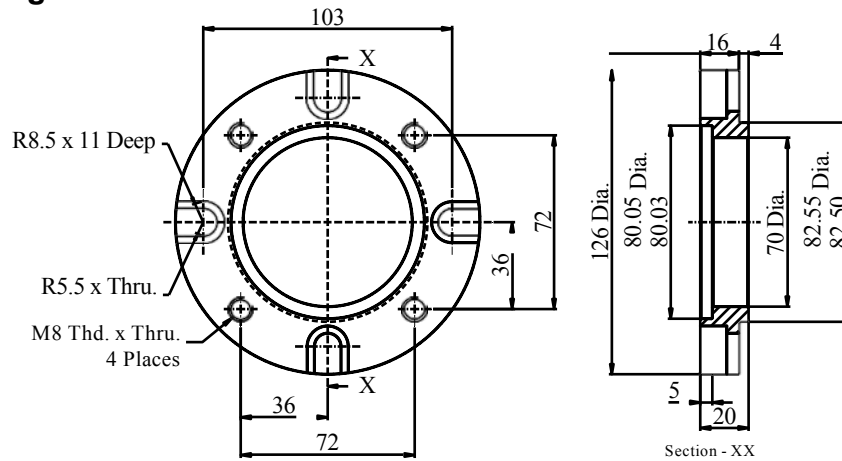
Contamination level should be within NAS class 9. The return line must have a line type filter of under 10µm or there should be an offline/independent filtration unit in the system.
Rotate in-clockwise direction to increase setting pressure.

Alignment of Shaft

Employ a flexible coupling whenever possible & avoid stress from bending or thrust. Maximum permissible misalignment is less than 0.1mm TIR & maximum permissible misangular is less than 0.2°.

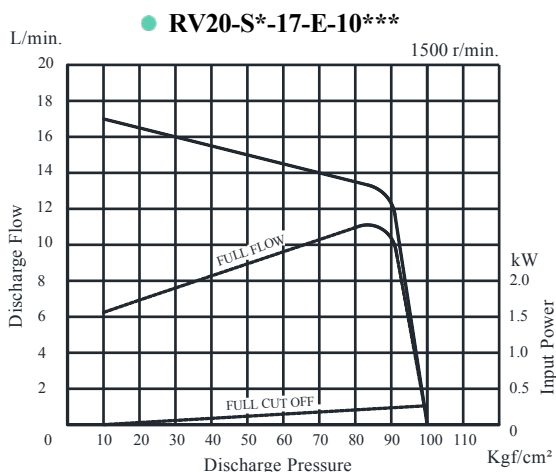
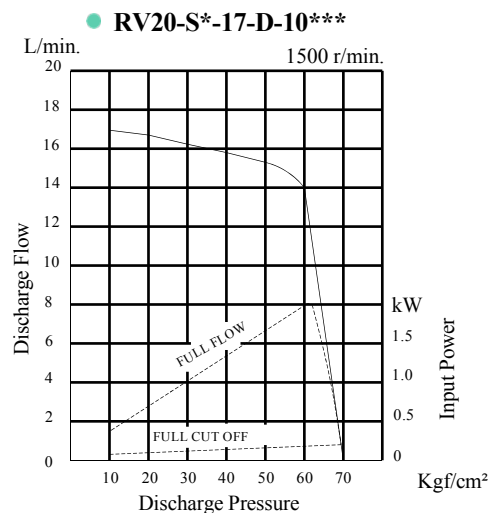
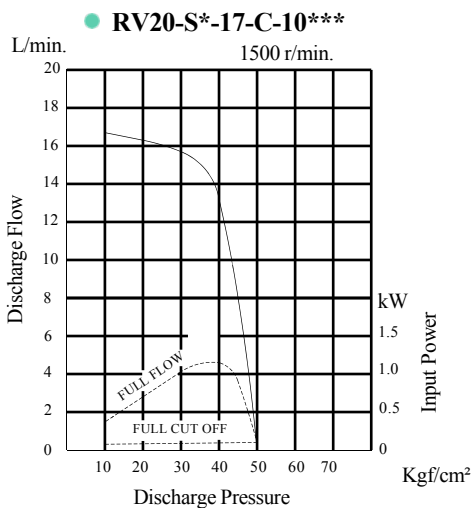
* Ensure the pump case does **not drain out** completely.

Adapter Flange Details



* Included in the H01 Model.

Typical Pump Characteristics Oil Viscosity 41 cSt [ISO VG 32, 50°C]



Spare Parts List

List of Seals

Sl. No.	Name of Part	Part Number	Qty.
1.	O-Ring	SO-NA-P10A	1
2.	O-Ring	SO-NA-P12	1
3.	O-Ring	PKH4-0547-0	1
4.	O-Ring	SO-FA-A146	1
5.	Back Up Ring	SO-BB-P10A	1
6.	Back Up Ring	SO-BB-P12	1
7.	Back Up Ring	PKH4-0546-0	1
8.	Oil Seal	ISD 20357	1

Note: When ordering the Seals, please specify the Seal Kit number KS-RV20-10.

Variable Displacement Vane Pump